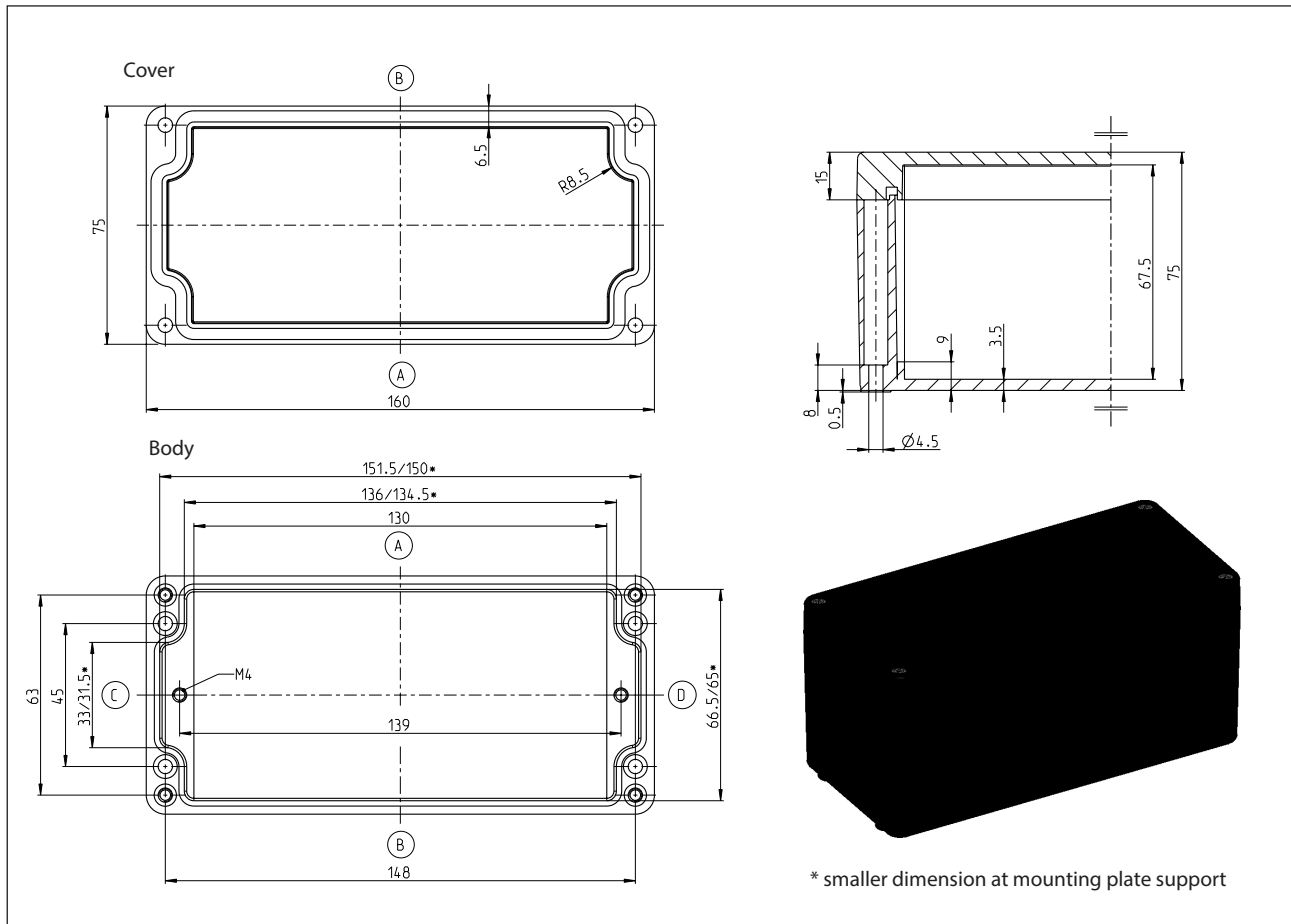


**Standard enclosure**  
Series CPS

**Designation CPS-175** **Article number 517000050**



| <b>Standard version</b>                             |  |
|---|--|
| Scope of supply:                                    |  |
| Base of enclosure                                   |  |
| Enclosure cover                                     |  |
| Cover screws (cross recessed head) enclosed loosely |  |
| Colour RAL 9005 (jet black)                         |  |
| Cover gasket PUR (polyurethane)                     |  |
| Individually packaged in foil                       |  |

| <b>Maximum possible number of thread (figures for identical diameter, not mixed!)</b> |     |     |     |     |     |     |     |     |
|---|-----|-----|-----|-----|-----|-----|-----|-----|
| ISO M   | M12 | M16 | M20 | M25 | M32 | M40 | M50 | M63 |
| Page A/B  | 18  | 10  | 6   | 4   | 3   | 0   | 0   | 0   |
| Page C/D  | 4   | 1   | 1   | 1   | 1   | 0   | 0   | 0   |

**Property chart CPS-175**

| Specification                                 | Value                 | According to the standard | Remark   |
|---|-----------------------|---------------------------|--|
| <b>General data:</b>                          |                       |                           |  |
| Weight  | 460 g                 |                           |  |
| External dimensions                           | 160 x 75 x 75         |                           |  |
| Protection classes                            |                       |                           |  |
| IP-code                                       | IP 66                 | EN 60529                  |  |
| IP-code                                       | IP67                  | EN 60529                  |  |
| IK- code                                      | IK08                  | IEC 62262                 |  |
| Material                                      |                       |                           |  |
| Enclosure                                     | Polyester SMC 2600    |                           | jet black  |
| Screws  | A2-70                 | DIN EN ISO 3506-1         | Cover screws   |
| Spring washer                                 | 1.4310                | DIN EN 10088-3            |  |
| Insert nuts                                   | 1.4305<br>CuZn39Pb3-M | DIN EN 10088-3            |  |
| Gasket  | PUR (Polyurethan)     |                           | Colour: dark grey, 2-component polyurethane foam seal    |
| Toxic behaviour                               | halogen-free          |                           |  |
| <b>Thermal properties:</b>                    |                       |                           |  |
| Fire behaviour                                |                       |                           |  |
| Flammability                                  | V-0                   | UL 94                     | Contentwise alike with EC60695-11-10 and IEC60695-11-20  |
| Glow wire test                                | 960 °C ; 3,2mm        | IEC 60695-2-12            |  |
| Glow wire test                                |                       |                           |  |
| Glow wire test                                |                       |                           |  |
| Temperature range                             |                       |                           |  |
| Enclosure without a seal                      | -60 °C bis +165 °C    |                           |  |
| PUR-seal                                      | -40 °C bis +100 °C    |                           |  |
| Temperature index Enclosure material          |                       |                           |  |
| RTI (tensile strength)                        | 130 °C                | UL 746 B                  |  |
| RTI (impact strength)                         | 130 °C                | UL 746 B                  |  |
| RTI (dielectric strength)                     | 105 °C                | UL 746 B                  |  |
| Ambient temperature according to DIN EN 62208 |                       |                           |  |
| Indoor application                            | -5 °C bis +40 °C      | DIN EN 62208              | On the average over 24h +35°C                            |
| Relative humidity according to DIN EN 62208   |                       |                           |  |
| Indoor application                            | max. 50% bei -40 °C   | DIN EN 62208              | with low temperatures also higher (for ex. 90% at +20°C) |
| Storage temperature                           | -20 °C bis +60 °C     |                           |  |
| Enclosure-specific thermal conductivity value | 4,00 K/W              |                           | taking account of effective dissipation loss             |

**Property chart CPS-175**

| Specification                      | Value                | According to the standard | Remark  |
|------------------------------------|----------------------|---------------------------|---|
| <b>Mechanical properties:</b>      |                      |                           |   |
| Torques                            |                      |                           |   |
| Cover screws                       | 1,0 Nm               |                           |   |
| Attachment of accessories          | 1,0 Nm               |                           | for ex. mounting plates,<br>mounting rails                |
| Other mounting                     | 1,0 Nm               |                           | Screw channel,<br>External mounting brackets              |
| Maximum installation weight        | 0,7 kg               |                           |   |
| <b>Electrical characteristics:</b> |                      |                           |   |
| Rated voltage                      | max. 500 V           |                           | Maximum length of the extension arm                       |
| Surface resistivity                | <10 <sup>9</sup> Ohm | IEC 60093                 |   |
| dielectric strength                | > 2 kv/cm            |                           |   |
| <b>More details:</b>               |                      |                           |   |
| General tolerance                  | mH                   | ISO 2768                  |   |
| Product standard                   | Yes                  | DIN EN 62208              | Empty enclosures for low-voltage<br>switchgear assemblies |
| Approvals                          |                      |                           |   |
| c UL us                            | Yes                  | UL508A / C22,2            | Type 1, 4, 4x   |
| Compliances                        |                      |                           |   |
| RoHs                               | Yes                  | Directive 2011/65 / EU    |   |
| CE label                           | Yes                  | EC-No 765/2008            |   |
| Low-Voltage-Directive No.:         | 2014/35/EU           |                           |   |

### Other versions / Accessories

The following information is not a standard. Approvals, compliances and protection classes of these versions upon request.

| <b>Other versions CPS-175</b>                                      |                |
|--|----------------|
| Description of the modification compared with the standard version | Article number |
| RAL 9005 (jet black), with PUR seal and Socket head cap screws     | upon request   |
| RAL 9005 (jet black), with PUR seal and Socket head cap screws     | 5170010050     |

| <b>accessoires possibles/ as individual parts or as assembly set</b>                           |                |
|--|----------------|
| Description of the modification compared with the standard version                             | Article number |
| Mounting plate   | 9823002000     |
| Mounting rail TS 15  | 9820012000     |
| Mounting rail TS 32  | -              |
| Mounting rail TS 35  | -              |
| Earthing rail (secured on central bosses C/D)  | -              |
| External mounting brackets   | 9824000000     |
| External articulated hinges for Enclosure CPS (mechanical machining of the enclosure required) | -              |
| Internal articulated hinges with cover guide (mechanical machining of the enclosure required)  | -              |

| <b>optional seals</b>      |                    |                           |              |
|----------------------------|--------------------|---------------------------|--------------|
| Specification              | Value              | According to the standard | Remark       |
| <b>Thermal properties:</b> |                    |                           |              |
| CR gasket                  | -30 °C bis +80 °C  |                           | IP66         |
| Silicone foam seal         | -60 °C bis +130 °C |                           | IP66 / IP67  |
| Silicone complete seal     | -60 °C bis +200 °C |                           | IP66 / IP67  |
| EPDM seal                  | -35 °C bis +100 °C |                           | IP66         |
| HF seal                    | -55 °C bis +125 °C |                           | upon request |